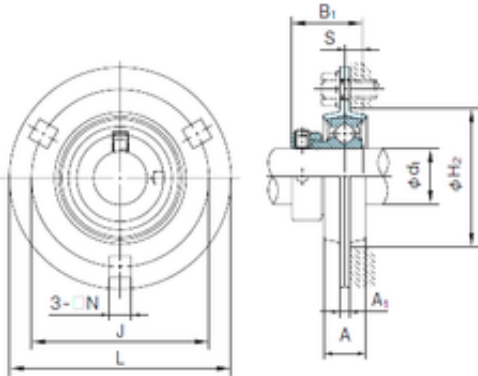




NACHI KHPF201A bearing units



Bearing No. KHPF201A

Bore Diameter	12 mm
Width	28.6 mm
d	12 mm
A	14 mm
A1	4 mm
B	28.6 mm
H2	49 mm
J	63.5 mm
L	81 mm
N	7 mm
S	6.5 mm
Bolt (G)	M6

KHPF201A Bearing 2D drawings and 3D CAD models